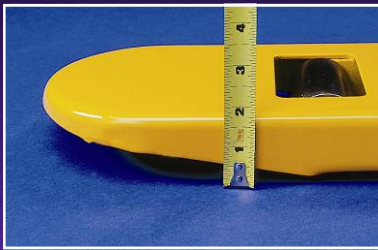




## HAND PALLET TRUCKS

# LOW AND ULTRA LOW PROFILE TITAN SERIES



LOW FORK PROFILE



DURABLE STEEL ROLLERS



ONE-PIECE CAST PUMP



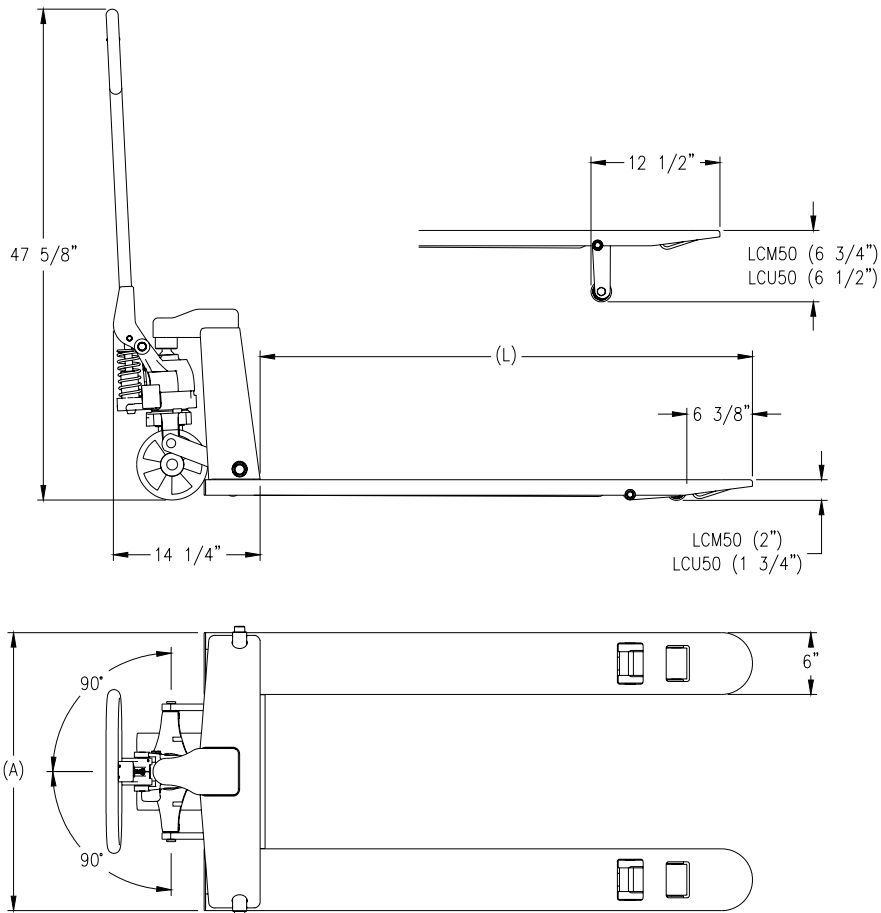
HEAVY DUTY WHEELS



**LIFFRITE®**

Low Profile Series—Model LCM50—2" Fork lowered height				
Item No.	Capacity (lbs)	Frame Width (A) inches	Fork Length (L) inches	Weight (lbs.)
LCM50270036	5000	27	36	155
LCM50270042	5000	27	42	165
LCM50270048	5000	27	48	175
LCM50205036	5000	20.5	36	150
LCM50205042	5000	20.5	42	155
LCM50205048	5000	20.5	48	160

Ultralow Profile Series—Model LCU50—1-3/4" Fork lowered height				
Item No.	Capacity (lbs)	Frame Width (A) inches	Fork Length (L) inches	Weight (lbs.)
LCU50270036	5000	27	36	155
LCU50270042	5000	27	42	165
LCU50270048	5000	27	48	175
LCU50205036	5000	20.5	36	150
LCU50205042	5000	20.5	42	155
LCU50205048	5000	20.5	48	160



Lift-Rite Inc., Walker Drive, Brampton, Ontario, L6T 5K5  
 Phone (905) 456-2603 • Fax (905) 456-1386 • Web [www.lifrite.com](http://www.lifrite.com)



## THE NEW TITAN SERIES HAND PALLET TRUCK FROM LIFT-RITE

An all new hydraulic pump design is the engine driving the Titan Series. The pump body is cast in one piece to keep oil in the pump and off your floor. A new lowering valve cartridge provides superior operator lowering control. A new high quality thrust load ball bearing and plate equipped with grease fittings makes load steering easier than ever



before.  
**2 YEAR PUMP WARRANTY**

Lift-Rite backs our new pump unit with a full 2 year exclusive warranty.

# LIFTRITE®