

NOBLELIFT

**LONG-TILLER
WALKIE ELECTRIC
PALLET TRUCK**

3500/4500 LBS

NEW

ADVANTAGES

- Ergonomic, Compact and Safe Long Tiller Design
- Reliable and Strong Chassis
- Powerful, Maintenance Free German AC Power Train
- Core Components from Top Quality Brands



PT35L/45L-2748

German AC drive technology

The powerful German Schabmueller maintenance free AC Drive motor in combination with the German Kordel gearbox, Intorque brake and Wicke drive wheel give best performance, efficiency and reliability to reduce the running costs!

Whatever desired, the AC Drive gives always the right response: gentle or fast acceleration.



Long tiller design for ergonomics and safety



In particular through the long tiller design the operator can always keep a safe distance to the truck during proceeding the work very ergonomically.

The design ensures lower operational forces than trucks with a short tiller. The tillers operating height is naturally positioned to ergonomic, operator friendly controlling positions.

CANBUS technology

The CANBUS technology is due to less wiring more reliable. For maintenance the CANBUS technology makes analysis and adjustments easier so that the downtime is lower than for trucks without CANBUS. Digital signals further makes parts longer lasting than analogue signals.

CAN-BUS

Maintenance friendly



The trucks design and the used components are tailored to make service and maintenance easy. All components are easy to reach when removing the main cover only with 2 screws, drive- and castor wheel are easy to exchange without craning the truck.

Robust and reliable design

The robust chassis with the strong 0.31 inch thick apron protects the truck and the components against mechanical impacts from the outside.

In combination with the strong metal battery cover, the truck is well- equipped to reduce service work and damages to a minimum.

Dirty floor environments have less influence to the vertical AC motor design as the components and the brake are out of the reach of direct impacts. IP 54 protected controller, safe against dust and splash water.



Long lasting battery capacities

With the PT-L series for every application the right battery:

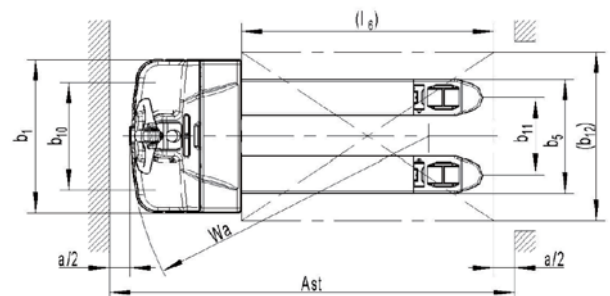
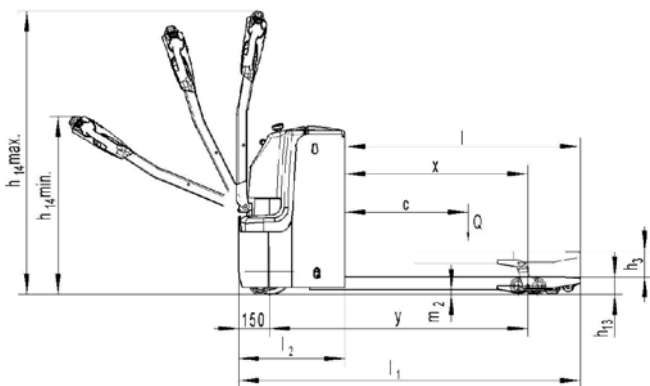
- PT35L-2748 with 165 Ah 2VBS battery with very short truck length and maneuverability for restricted operating areas.
- PT45L-2748 with 210Ah DIN 2PzS battery

Optional sideways battery exchange compartment for PT45L-2748 with 210Ah battery.

Various options

- Load backrest
- Sideways battery exchange
- Different fork-versions on request

Entry rollers as standard.



Type sheet for industrial truck acc. to VDI 219

Distinguishing mark

1.2	Manufacturer`s type designation		PT35L-2748	PT45L-2748
1.3	Power(battery,diesel,petrol gas>manual)		Battery	
1.4	Operator type		pedestrian	
1.5	Load Capacity / rated load	Q (lbs)	3500	4500
1.6	Load centre distance	C (in)	24	
1.8	Load distance, centre of drive axle to fork	X (in)	35.1	
1.9	Wheelbase	y (in)	49.6	52.2

Weight

2.1	Service weight	lbs	979	1177
2.2	Axle loading, laden front/rear	lbs	1573/2926	1881/3696
2.3	Axle loading, unladen front/ rear	lbs	759/220	913/264

Tires, chassis

3.1	Tires		Polyurethane (PU)	
3.2	Tire size, front	φx w (in)	9.1X2.8	
3.3	Tire size, rear	φx w (in)	3.3X3.3	
3.4	Additional wheels (dimensions)	φx w (in)	3.9X1.6	
3.5	Wheels, number front/ rear(x=driven wheels)		1x+2/4	
3.6	Tread, front	b10 (in)	20	
3.7	Tread, rear	b11 (in)	14.4/20.2	

Dimensions

4.4	Lift height	h3(in)	4.7	
4.9	Height of tiller in drive position min. / max.	h14(in)	32.2/52.5	
4.15	Height, lowered	h13(in)	3.3	
4.19	Overall length	l1 (in)	65.7	68.3
4.20	Length to face of forks	l2 (in)	20.5	23.4
4.21	Overall width	b1 (in)	729	
4.22	Fork dimensions	s/e/l (in)	2.4/6.8/45.3	
4.25	Distance between fork-arms	b5 (in)	21.3/27	
4.32	Ground clearance, centre of wheelbase	m2 (in)	1.0	
4.33	Aisle width for pallets 1000X1200 crossways	Ast (in)	74.2	77.0
4.34	Aisle width for pallets 800X1200 lengways	Ast (in)	76.2	78.9
4.35	Turning radius	Wa (in)	56.7	58.7

Performance

5.1	Travel speed, laden/ unladen	mph	3.5/3.7	
5.2	Lift speed, laden/ unladen	fpm	4.9/6.9	4.3/5.9
5.3	Lowering speed, laden / unladen	fpm	6.9/5.9	6.9/6.9
5.8	Gradeability, laden/ unladen	%	8/15	
5.10	Service brake		Electromagnetic	

Motors

6.1	Drive motor rating S2 60min	HP	1.7	
6.2	Lift motor rating at S3 4.5%	HP	1.1	
6.3	Battery acc. to DIN 43531 /35 / 36 A, B, C, no		2VBS	2PzS
6.4	Battery voltage, nominal capacity K5	V/Ah	160	210
6.5	Battery weight (minimum)	lbs	330	473
6.6	Energy consumption acc: to VDI cycle			
8.1	Type of drive control		AC -Speed Control	
8.4	Sound level at driver`s ear acc. to EN 12053	dB(A)	67	69

PT35L/45-2748

Long-tiller Walkie Electric Pallet Truck

INTRODUCTION

The PT35L/PT45L-2748 series is the first choice for loading and unloading as well for universal transportation on short distances with capacities from 3500 lbs up to 4400 lbs.

With the short chassis length (PT35L-2748) the truck is tailored to operate in confined areas.

With its high-quality and state of the art top-brand components and technologies, the truck competes with leading well-know brands in the market.



AUTHORIZED DEALER

Noblelift North America Corp.

Add: 2451 American Lane,
Elk Grove Village, IL 60007
TEL: +1-847-595-7100
FAX: +1-847-595-7200
WEB: www.noblelift.us
Email: sales@noblelift.com