

# NOBLELIFT

**RIDE-ON  
ELECTRIC  
PALLET TRUCK**

**6000/8000 LBS**

**NEW**

## **ADVANTAGES**

- Efficiency, Durability, Performance (EDP) ensured by German engineering  
Powerful German heavy duty AC drive unit.
- One of the fastest trucks in the market. Robust and reliable ergonomic .  
Rider-tiller with cast metal.
- High quality brand components  
Strong forks designed for single ( 6000 lbs) and double ( 8000 lbs) pallet transport.



**PT60R-2748  
PT80R-2896**

# PT60R-2748/PT80R-2896

## Ride-On Electric Pallet Truck

### INTRODUCTION

The electric End Rider Pallet Truck PT 60R-2748/PT80R-2896 (capacity 6000lbs/8000 lbs) is designed to withstand the most demanding applications in order-picking, wide range of warehouse applications as well as for loading dock operations. The truck combines best durability with high efficiency and performance. The PT60R-2748/PT80R-2896's high speed can ensure more pallet operations in less time than others and saves labor costs. One of the best trucks on the market.



#### Tray

The optional available tray gives the right place for your work equipment.



#### US Tailored Open Battery Compartment

13.8" US tailored open battery compartment ready for wide range of industrial batteries, flexible for different battery dimensions.



**AUTHORIZED DEALER**

### **Noblelift North America Corp.**

Add: 2451 American Lane,  
Elk Grove Village, IL 60007  
TEL: +1-847-595-7100  
FAX: +1-847-595-7200  
WEB: [www.noblelift.us](http://www.noblelift.us)  
Email: [sales@noblelift.com](mailto:sales@noblelift.com)



**Backrest**

Heavy duty load backrest with a tilt down design to facilitate battery change out. Optional battery rollers provides easier battery change out.

**Generous platform**

The roomy platform ensures operator comfort throughout the day.



**Ergonomic robust German tiller**

The operator friendly robust metal casted German tiller provides maximum of ergonomics and safety in riding- as well as in walking mode.

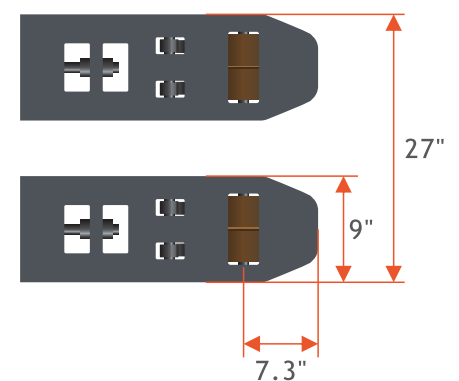
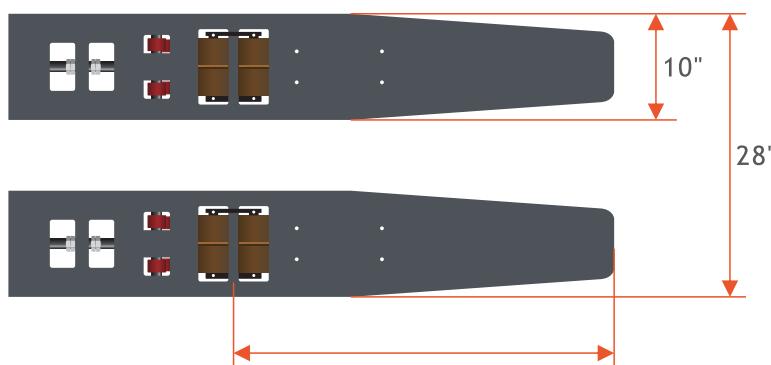
**Jog Button**

Jog button on the tiller allows operator to walk beside the truck. Additional sidetracker for travelling in tiller direction to increase productivity in order picking operations. The coast mode allows slowly coasting.

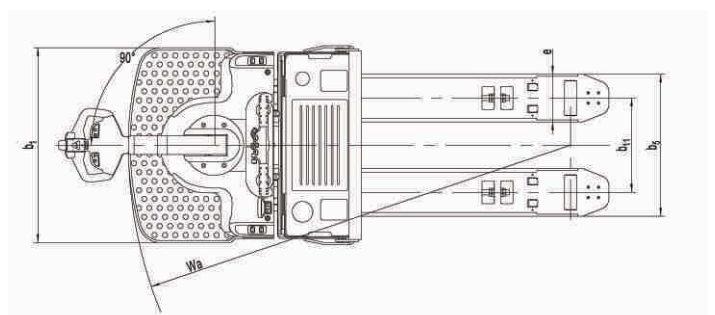
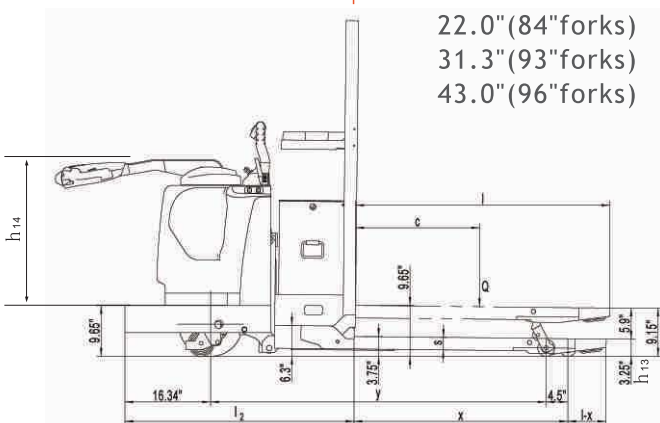


**Grab bar with electronic controls**

All control elements ensure safety and productivity. They are well ergonomically placed to make operations effortless. The coated grab bar keeps you safe during the hole day.



22.0" (84"forks)  
31.3" (93"forks)  
43.0" (96"forks)



## Distinguishing mark

1.2	Manufacturer's type designation		PT60R-2748	PT80R-2896
1.3	Power(battery,diesel,petrol gas,manual)		Battery	Battery
1.4	Operator type		walkie/ride-on	walkie/ride-on
1.5	Load Capacity / rated load	Q (lbs)	6000	8000
1.6	Load centre distance	C (in)	24	48
1.8	Load distance, centre of drive axle to fork	X (in)	40.5	61.7
1.9	Wheelbase	y (in)	63.6	83.9

## Weight

2.1	Service weight	lbs	2330	2465
2.2	Axle loading, laden front/rear	lbs	3100/5260	2860/5544
2.3	Axle loading, unladen front/ rear	lbs	1870/550	2024/440

## Tires, chassis

3.1	Tires		Polyurethane (PU)	Polyurethane (PU)
3.2	Tire size, front	φx w (in)	12.2/4. 13	12.2/4. 13
3.3	Tire size, rear	φx w (in)	3.2/3.2	3.2/2.76
3.4	Additional wheels (dimensions)	φx w (in)	4.9/2.4	4.9/2.4
3.5	Wheels, number front/ rear(x=driven wheels)		1x+2/4	1x+2/8
3.6	Tread, front	b10 (in)	26.8	26.8
3.7	Tread, rear	b11 (in)	12.9/17.9	12.9/17.9

## Dimensions

4.4	Lift height	h3(in)	5.9	5.9
4.9	Height of tiller in drive position min. / max.	h14(in)	34.6/61	34.6/61
4.15	Height, lowered	h13(in)	3.25	3.25
4.19	Overall length	l1 (in)	91.7	139.8
4.20	Length to face of forks	l2 (in)	43	43
4.21	Overall width	b1 (in)	37/37.8	37/37.8
4.22	Fork dimensions	s/e/l (in)	2.4/9.0/48	2.4/10/96
4.25	Distance between fork-arms	b5 (in)	22/27	23/28
4.32	Ground clearance, centre of wheelbase	m2 (in)	0.98	0.98
4.34	Aisle width for pallets 40×48 lengthways	Ast (in)	94.5	153.5
4.35	Turning radius	Wa (in)	84.4	104.7

## Performance

5.1	Travel speed, laden/ unladen	mph	6.2/8.7	5.9/7.5
5.2	Lift speed, laden/ unladen	fpm	7.5/9. 5	7.5/9. 5
5.3	Lowering speed, laden / unladen	fpm	9.5/9.5	9.5/9.5
5.8	Max . gradeability , laden/unladen	%	8/15	6/15
5.10	Service brake		Regenerative	Regenerative

## Motors

6.1	Drive motor rating S2 60min	HP	5.1	5.1
6.2	Lift motor rating at S3 10%	HP	3	3
6.3	Battery acc. to DIN 43531 /35 / 36 A, B, C, no		no,5Pzs	no,5Pzs
6.4	Battery voltage, nominal capacity K5	V/Ah	24/350	24/350
6.5	Battery weight (minimum)	lbs	704	704
8.1	Type of drive control		AC -Speed Control	AC -Speed Control
8.4	Sound level at driver's ear acc. to EN 12053	dB(A)	68	68
8.6	Steering		Mechanical	Mechanical

## Standard Fork Tip

## Extended Fork Tip

<b>Nominal Fork Length</b>		in	36.0	42.0	48.0	54.0	60.0	96.0	84.0	93.0	96.0
<b>Actual Fork Length</b>	l1	in	35.7	41.7	47.8	53.7	59.7	95.7	83.7	92.8	95.7
<b>Qverall Length</b>	l	in	79.8	85.8	91.8	97.8	103.8	139.8	127.8	136.8	139.8
<b>Wheelbase(raised)</b>	y	in	51.4	57.4	63.5	69.5	75.5	111.6	83.9	83.9	83.9
<b>Load Wheel Distance</b>	x	in	28.4	34.4	40.5	48.4	52.4	88.4	61.7	61.5	61.7
<b>Fork Tip Length</b>	l-x	in	7.3	7.3	7.3	7.3	7.3	7.3	22.0	31.3	34.0
<b>Grade Clearance</b>		%									
<b>Turning Radius(raised)</b>	Wa	in	72.3	78.3	84.4	90.4	96.4	132.4	104.7	104.7	104.7
<b>Fork Width</b>	e	in			9.0						10.0